

PIN ASSIGNMENT

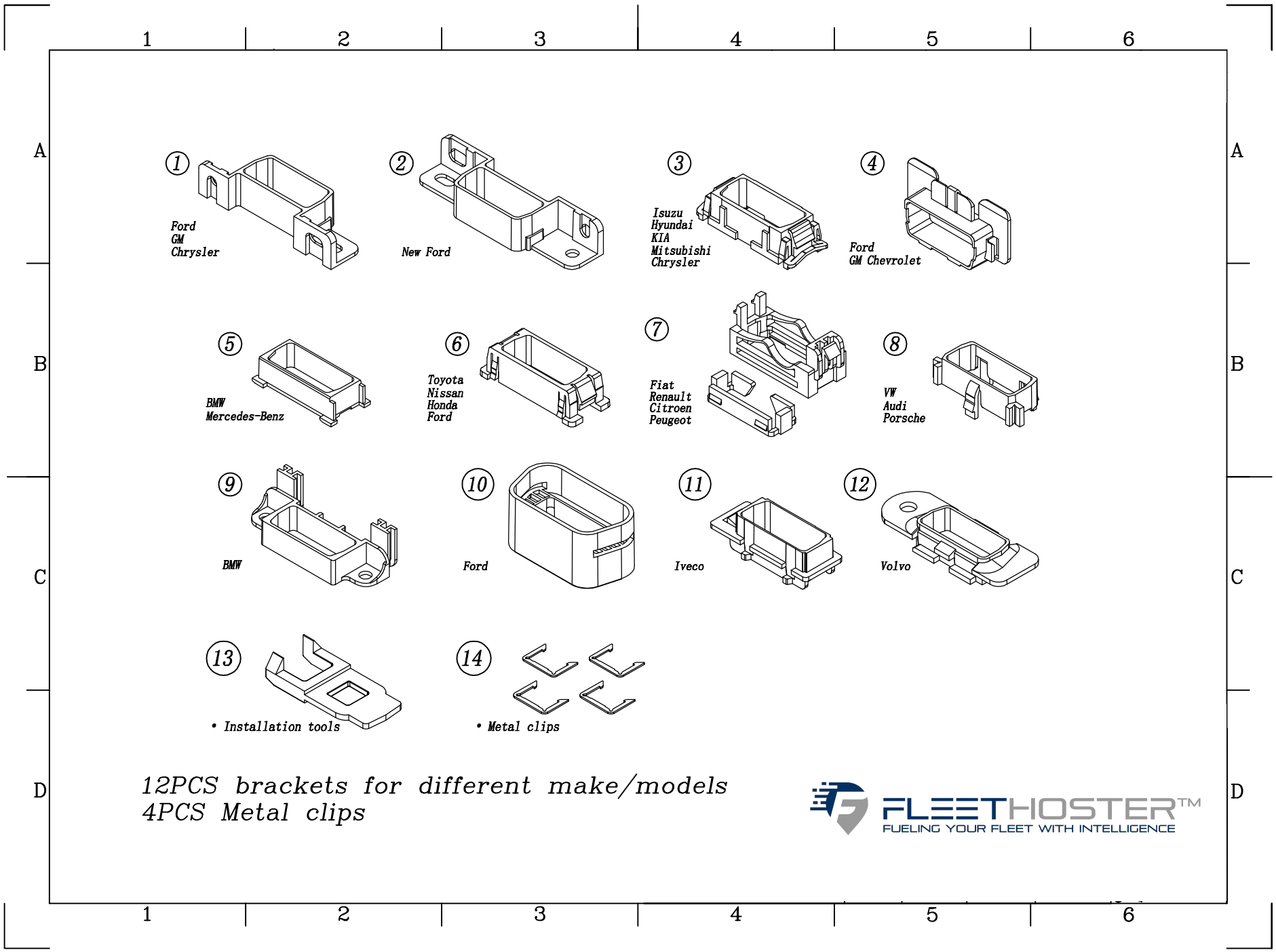
P1	M	P2	F	P3	F
1		1		1	
2		2		2	
3		3		3	
4		4		4	
5		5		5	
6		6		6	
7		7		7	
8		8		8	
9		9		9	
10		10		10	
11		11		11	
12		12		12	
13		13		13	
14		14		14	
15		15		15	
16		16		16	

TESTING

1. Any Open, Short Miswiring & Intermittent are not permitted.
2. Contact Resistance: 1Ω .
3. Insulation Resistance: $50M\Omega/250V$ DC MIN.
4. This product is ROHS compliant.

G	CABLE:3C/AWG20+13C/AWG24+AL OD:7.0MM BLACK	700	MM
F	CABLE:3C/AWG20+13C/AWG24+AL OD:7.0MM BLACK	700	MM
E	FEMALE:BLACK BODY with 2 BLACK Locks	1	SET
D	FEMALE OVER-MOULD:BLACK PVC	30	G
C	FEMALE CONNECTOR:PBT	1	SET
B	MALE OVER-MOULD:BLACK PVC	35	G
A	MALE CONNECTOR:PC BLACK	1	SET
ITEM	BILL OF MATERIAL /SPECIFICATION	QTY	UNIT





12PCS brackets for different make/models
4PCS Metal clips

