

**TESTING**

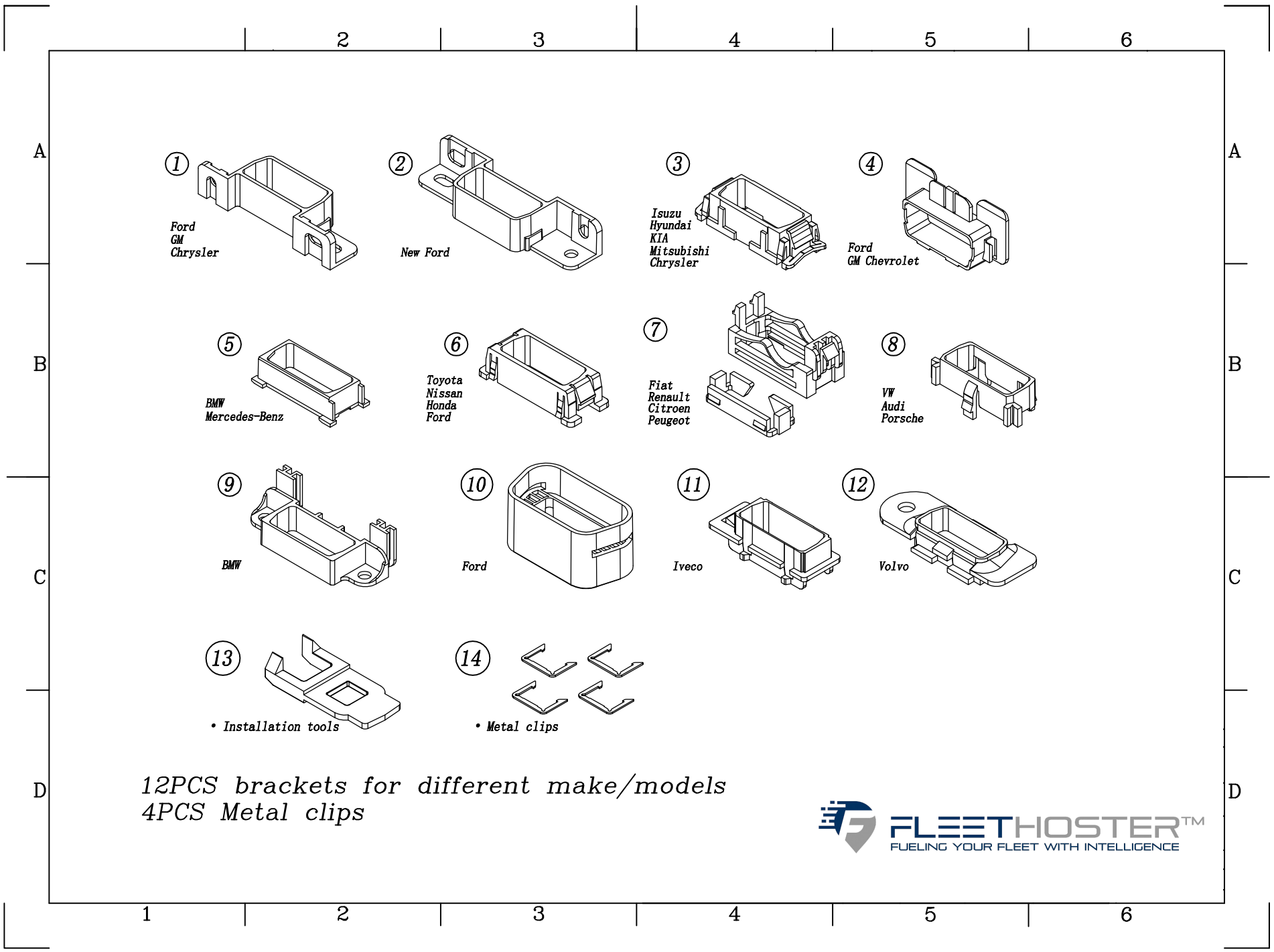
- 1.100% Open&Short&Miss-Wire testing
- 2.Contact Resistance:2Ω MAX.
- 3.Insulation Resistance:50MΩ/250V DC MIN.
- 4.This product is ROHS compliant.

**PIN ASSIGNMENT**

P1	P2	P3	P4
1	1	1	1
2	2	2	2
3	3	3	3
4	4	4	4
5	5	5	5
6	6	6	6
7	7	7	7
8	8	8	8
9	9	9	9
10	10	10	10
11	11	11	11
12	12	12	12
13	13	13	13
14	14	14	14
15	15	15	15
16	16	16	16

K	CABLE:3C/AWG20+13C/24AWG+AL OD:7.0MM BLACK	915	MM
J	CABLE:3C/AWG20+13C/24AWG+AL OD:7.0MM BLACK	510	MM
I	CABLE:3C/AWG20+13C/AWG24+AL OD:7.0MM BLACK	610	MM
H	CABLE:3C/AWG20+13C/24AWG+AL OD:7.0MM BLACK	210	MM
G	S/R OVERMOLD: 25P PVC BLACK	30	G
F	OBD2 FEMALE:BLACK BODY with 2 BLACK Locks	1	SET
E	OBD2 FEMALE:MOLEX 51115-1621 with 2 TPA Locks BLACK	1	SET
D	OBD2 FEMALE OVER-MOULD:BLACK PVC	35	G
C	OBD2 FEMALE CONNECTOR:PA66+GF	1	SET
B	OBD2 MALE OVER-MOULD:BLACK PVC	25	G
A	OBD2 MALE CONNECTOR:PA66+GF	1	SET
ITEM	BILL OF MATERIAL /SPECIFICATION	QTY	UNIT





12PCS brackets for different make/models  
 4PCS Metal clips

