



**FLEETFLIX™**  
SEE WHAT'S AHEAD

# DCA01-FFLITE-RC-AHD



## PRODUCT DESCRIPTION

FLEETFLIX LITE AUXILIARY CAMERAS ARE CONNECTED TO FLEETFLIX LITE AND FLEETFLIX LITE PRO+ DASHCAMS. WHEN CONNECTED TO THE DASH CAMERA, THE CAMERAS ENABLE LIVE VIDEO AND RECORDING FROM THE PORTAL OF ADDITIONAL PERSPECTIVES DURING TRIPS. THE CAMERAS ARE INSTALLED AROUND THE VEHICLE IN KEY LOCATIONS (SIDE AND REAR). ALL AUXILIARY CAMERAS INCLUDE A HIGH-DEFINITION 1920H\*1080V LENS. AUTO GAIN, 3D NOISE REDUCTION, AND BACKLIGHT COMPENSATION ARE ALL SUPPORTED. PROVIDE YOUR FLEET WITH 360° VIDEO COVERAGE.

## PRODUCT FEATURES

- IMAGE SENSOR: 1/2.8" 2.13M PIXEL CMOS
- RESOLUTION: 1920H\*1080V
- MINIMUM ILLUMINATION: 0LUX (IR ON); 0.05LUX (IR OFF)
- AUTO ELECTRONIC SHUTTER, AUTO EXPOSURE AND AUTO WHITE BALANCE
- IR RANGE: 10M (12  $\varnothing$ 5 850NM LED DOTS)
- IP RATING: IP67
- 0.5M WATER-PROOF AVIATION CABLE, DC12V, BLACK SHELL
- WHITE BALANCE AUTO TRACKING OF WHITE BALANCE

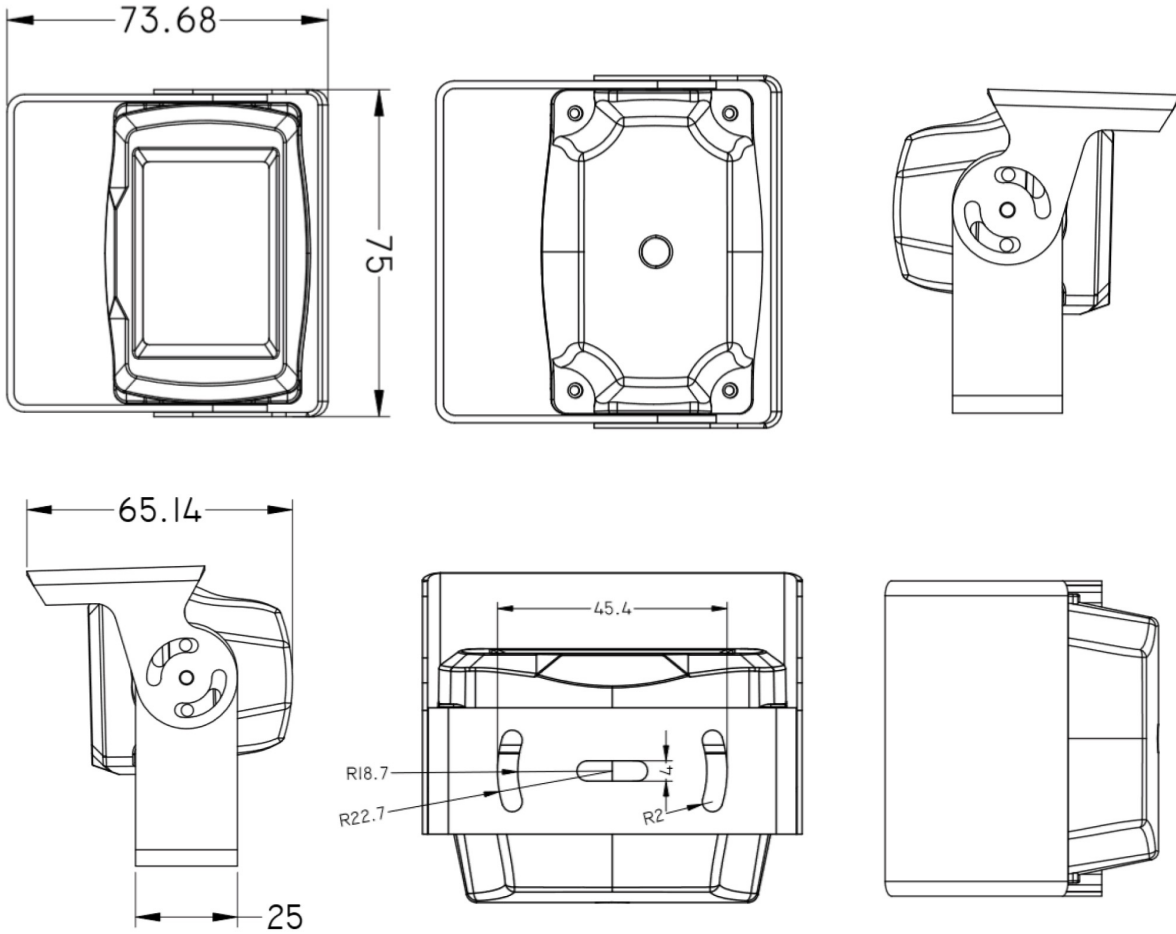
## PRODUCT SPECIFICATIONS

- SIGNAL-TO-NOISE RATIO:  $\geq$  50DB
- ELECTRONIC SHUTTER  
1/25S-1/25,000S (AUTO)
- DAY/NIGHT MODE  
ICR IR FILTER
- OPERATING TEMPERATURE: -40°C ~ 70°C
- OPERATING HUMIDITY: <95%  
(NO CONDENSATION)
- POWER SUPPLY: DC12V $\pm$  10%
- LENS  
2.5MM M12@ F2.0, FOV: HFOV: 123° VFOV: 69° DFOV: 141°  
2.8MM M12@ F2.0, FOV: HFOV: 103° VFOV: 56° DFOV: 121°  
3.6MM M12@ F2.2, FOV: HFOV: 88° VFOV: 49° DFOV: 103°  
6MM M12@ F2.1, FOV: HFOV: 56° VFOV: 31° DFOV: 64°
- VIDEO OUTPUT  
1.OVP-P COMPOSITE VIDEO OUTPUT, 75 $\Omega$ , 4PIN AVIATION CABLE
- POWER CONSUMPTION (MAX): 130MA/DC12V $\pm$ 5%
- PRODUCT DIMENSIONS  
3IN X 2.5IN X 2.9IN (75MM X 65.1MM X 73.7MM)
- NET WEIGHT OF PRODUCT  
0.6LBS (280G)

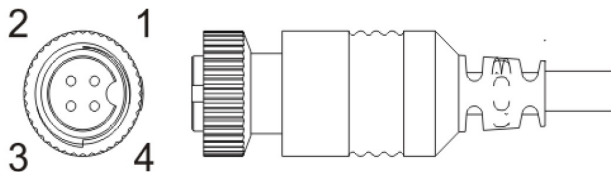


**FLEETFLIX™**  
SEE WHAT'S AHEAD

Product Dimensions



Interface of video output cable



Aviation RS765-4(Female)

1---12V DC(+)    3---AUDIO

2---GND        4---VIDEO