



**FLEETFLIX™**  
SEE WHAT'S AHEAD

# DCA01-FFLITE-SC-CA39-IPC



## PRODUCT DESCRIPTION

FLEETFLIX LITE AUXILIARY CAMERAS ARE CONNECTED TO FLEETFLIX LITE AND FLEETFLIX LITE PRO+ DASHCAMS. WHEN CONNECTED TO THE DASH CAMERA, THE CAMERAS ENABLE LIVE VIDEO AND RECORDING FROM THE PORTAL OF ADDITIONAL PERSPECTIVES DURING TRIPS. THE CAMERAS ARE INSTALLED AROUND THE VEHICLE IN KEY LOCATIONS (SIDE AND REAR). ALL AUXILIARY CAMERAS INCLUDE A HIGH-DEFINITION 1920H\*1080V LENS. AUTO GAIN, 3D NOISE REDUCTION, AND BACKLIGHT COMPENSATION ARE ALL SUPPORTED. PROVIDE YOUR FLEET WITH 360° VIDEO COVERAGE.

## PRODUCT FEATURES

- IMAGE SENSOR: 1/2.9" CMOS IMAGING TARGET SURFACE
- RESOLUTION: 1920H\*1080V
- MINIMUM ILLUMINATION: 0LUX(IR ON); 0.1LUX(IR OFF)
- AUTOMATIC ELECTRONIC SHUTTER, AUTOMATIC EXPOSURE, AUTOMATIC WHITE BALANCE
- INFRARED DISTANCE: 5-10M
- IP RATING: IP69K
- COMPACT DESIGN AND SIMPLE INSTALLATION TO ENSURE THE VEHICLE DAMPING PERFORMANCE

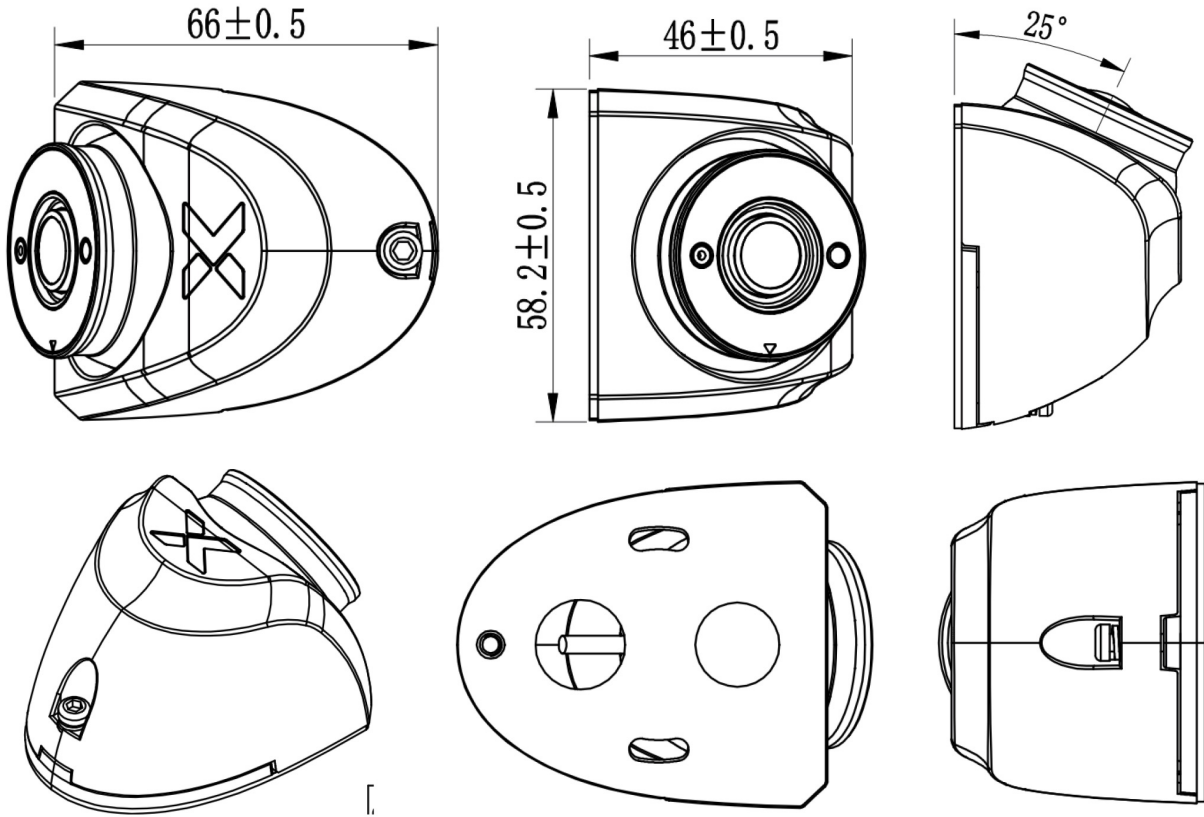
## PRODUCT SPECIFICATIONS

- SIGNAL-TO-NOISE RATIO:  $\geq 48$ DB
- ELECTRONIC SHUTTER  
1/30S-1/10000S
- DAY/NIGHT MODE  
DAY-NIGHT SWITCHING IR-CUT
- OPERATING TEMPERATURE: -40°C ~ 70°C
- POWER SUPPLY: PON(DC12V)
- WORKING HUMIDITY: 0% - 90%
- NETWORK PROTOCOLS: HTTP, TCP, RTSP, UDP, RTCP, SMTP, DHCP
- VIDEO COMPRESSION STANDARDS: H.264
- LENS  
2.2MM M12@ F2.0, FIELD OF VIEW (FOV): HFOV: 135° VFOV: 76° DFOV: 168°  
2.8MM M12@ F2.0, FIELD OF VIEW (FOV): HFOV: 112° VFOV: 54° DFOV: 124°  
3.6MM M12@ F2.0, FIELD OF VIEW (FOV): HFOV: 83° VFOV: 46° DFOV: 95°
- POWER CONSUMPTION (MAX): <1.5W (OFF) <3W (ON)
- IMAGE RESOLUTION  
MAIN STREAM: 1080P@30FPS  
SUB-STREAM: VGA/D1/CIF@15FPS  
NETWORK TRANSMISSION STREAM: CIF@10FPS (BITRATE ADAPTIVE)
- COMPRESSED OUTPUT BIT RATE: 32KBPS-6MBPS
- PRODUCT DIMENSIONS  
2.59IN X 2.29IN X 1.8IN (66MM X 58.2MM X 46MM)
- NEW WEIGHT OF PRODUCT  
0.45LBS (205G)

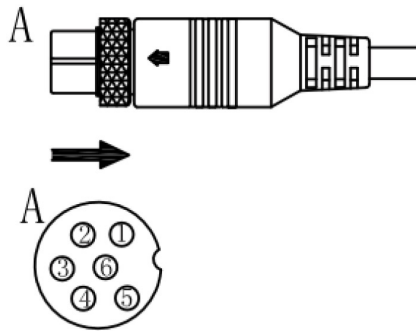


**FLEETFLIX™**  
SEE WHAT'S AHEAD

**Product Dimensions**



**Video Output Line Port**



1---TXN- 2---TXP+ 3---12DC(+)  
4---RXN- 5---RXP+ 6---GND