

# FFLITE-MONITOR



## PRODUCT DESCRIPTION

THE 7-INCH HIGH-DEFINITION MONITOR ENHANCES THE DRIVER'S ABILITY TO OBSERVE VEHICLE OPERATIONS AND THE SURROUNDING ENVIRONMENT CLEARLY, IMPROVING BOTH SAFETY AND EFFICIENCY. ITS SIMPLE BUTTON OPERATION, HIGH RESOLUTION, HIGH BRIGHTNESS, HIGH CONTRAST, AND WIDE VIEWING ANGLE CATER TO VARIOUS DRIVING SCENARIOS, ENHANCING THE DRIVING EXPERIENCE AND VEHICLE OPERATING EFFICIENCY.

## PRODUCT FEATURES

- **DUAL-CHANNEL SUPPORT:** SUPPORTS 2 VIDEO INPUTS AND DUAL-IMAGE SEGMENTATION DISPLAY AND SINGLE-IMAGE SEGMENTATION DISPLAY.
- **IPS SCREEN:** FAST RESPONSE SPEED, WIDE VIEWING ANGLE, AND TRUE COLOR WITH A RESOLUTION OF 1024 RGB X 600.
- **OSD MENU:** CONFIGURES MIRROR AND NORMAL IMAGES FOR EACH INPUT, SETS DELAY TIME, AND MANAGES DOUBLE TRIGGER PRIORITY FUNCTIONS.
- **RUGGED DESIGN:** MADE WITH HIGH-TEMPERATURE RESISTANT ABS + PC MATERIALS, ENSURING DURABILITY AND WEAR RESISTANCE.
- **SUN HAT:** REMOVABLE SUN HAT REDUCES GLARE FROM DIRECT SUNLIGHT, MAINTAINING A CLEAR VIEW.
- **ROBUST BRACKET:** RUST-PROOF METAL BRACKET WITH U-SHAPED, DOUBLE-SIDED FASTENING AND ANTI-VIBRATION DESIGN.
- **HIGH BRIGHTNESS:** DELIVERS VERY CLEAR IMAGES WITH 600 CD/m<sup>2</sup> BRIGHTNESS.
- **VOLTAGE PROTECTION:** LOAD DUMP PULSE VOLTAGE DESIGN (DC 24V + 174V FOR 350 MS) PROTECTS AGAINST TRANSIENT PULSES.
- **ENERGY-EFFICIENT POWER SUPPLY:** FEATURES AN INDEPENDENT POWER SUPPLY WITH LOW POWER CONSUMPTION AND LOW-TEMPERATURE STABILITY.
- **WIDE VOLTAGE RANGE:** OPERATES WITHIN A DC 11-32V RANGE.
- **POLARITY PROTECTION:** BUILT-IN PROTECTION AGAINST REVERSE POLARITY CONNECTION, WITH LED THERMAL RESPONSE CONSTANT CURRENT AND CONSTANT VOLTAGE PROTECTION FOR CIRCUIT LONGEVITY.

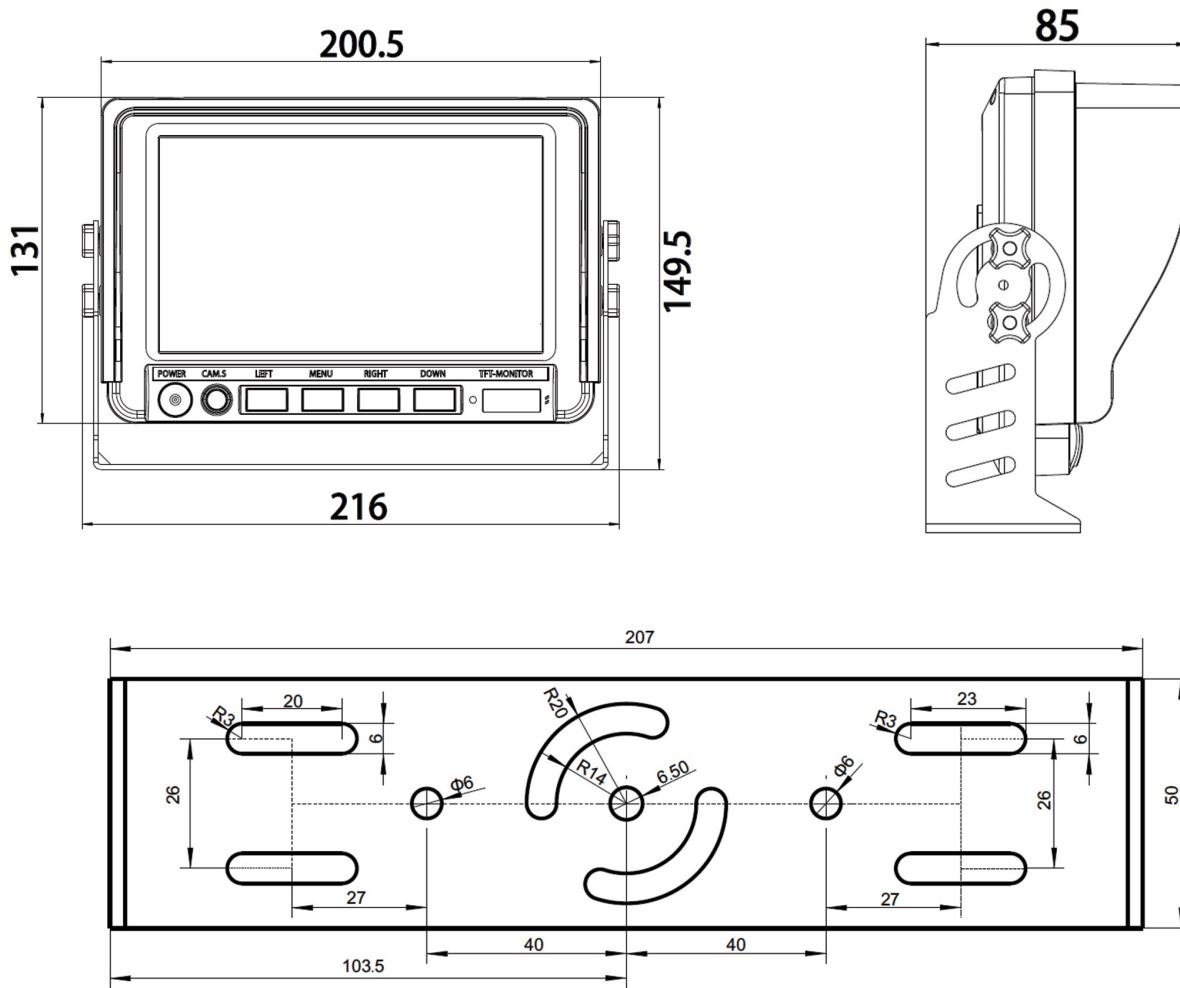
## PRODUCT SPECIFICATIONS

- **LDC MONITOR:** 7IN (177MM)
- **COLOR SYSTEM:** AHD 720P/1080P
- **DISPLAY:** 1024RGB(H) X 600(V)
- **VIEWABLE AREA:** 154.4(H) X 85.9(V)
- **BRIGHTNESS:** 600CD/M
- **CONTRAST RATIO:** 700:1
- **VIEWING ANGLE:** 160/160
- **LED:** 8.7V / 220MA
- **POWER CONSUMPTION:** MAX 5W
- **OPERATING VOLTAGE:** DC11V ~ DC32
- **OPERATING TEMPERATURE:** -20°C ~ +70°C MAX (-4°F ~ +158°F MAX)
- **STORAGE TEMPERATURE:** -30°C ~ +80°C MAX (-30°F ~ +176°F MAX)
- **MOTHERBOARD CHIPSET:** ATM630M
- **POWER OUTPUT:** DC10.5V/750MA
- **SIZE:** 8.5IN X 5.9IN X 3.3IN (216MM X 150MM X 85MM)
- **WEIGHT:** 28.20Z (800G)



**FLEETFLIX™**  
SEE WHAT'S AHEAD

**DIMENSIONS (MM)**



**HARNESS DIAGRAM (MM)**

