



FLEETFLIX™
SEE WHAT'S AHEAD

FFLITE-POWERBOXMAX



PRODUCT DESCRIPTION

POWER BOX MAX IS A FLEETFLIX LITE DASHCAM VIDEO EXTENSION POWER BOX THAT SUPPORTS THE EXPANSION OF 4 AHD INPUTS OR 3 AHD INPUTS PLUS 1 IPC INPUT. IT HAS AI EXTENSION CAPABILITY AND SUPPORTS LEFT, RIGHT, AND REAR BLIND SPOT DETECTION (BSD) AUDIO-VISUAL ALARMS. IT ALSO SUPPORTS QUICK POWER SUPPLY FROM THE ORIGINAL VEHICLE'S OBD PORT AND OBD DATA PARSING CAPABILITY. IT IS COMMONLY USED IN DASHCAM PRODUCTS THAT REQUIRE VEHICLE BLIND SPOT COMPENSATION AND CARGO MONITORING IN THE SCENES OF MEDIUM AND LARGE FREIGHT VEHICLES.

PRODUCT FEATURES

- SUPPORT 3-WAY IO DETECTION AND 1-WAY IBUTTON ACCESS
- SUPPORT 1-WAY IO OUTPUT WITH A CURRENT OF UP TO 0.5A
- SUPPORT 3-WAY RS232, WHERE RS232-1 IS DEFAULT FOR R-WATCH, RS232-2 IS FOR B3 LEFT, AND RS232-3 IS FOR B3 RIGHT
- POWERED BY OBD, WITH 2 BUILT-IN CAN CHANNELS, SUPPORT FOR J1939 PROTOCOL, AND A CHOICE BETWEEN J1708/J1850/K-LINE PROTOCOLS
- SUPPORT 4-WAY AHD INPUT OR 3-WAY AHD PLUS 1-WAY IPC INPUT
- SUPPORT 1-WAY VIDEO OUTPUT, CONFIGURABLE AS AHD OR CVBS OUTPUT
- EQUIPPED WITH AI DETECTION CAPABILITY, SUPPORTING UP TO 3-WAY BSD WITH TIME DIVISION AND REAL-TIME OPERATION OF 2-WAY BSD, AND SUPPORT FOR 2-WAY B3 BLIND SPOT INDICATORS

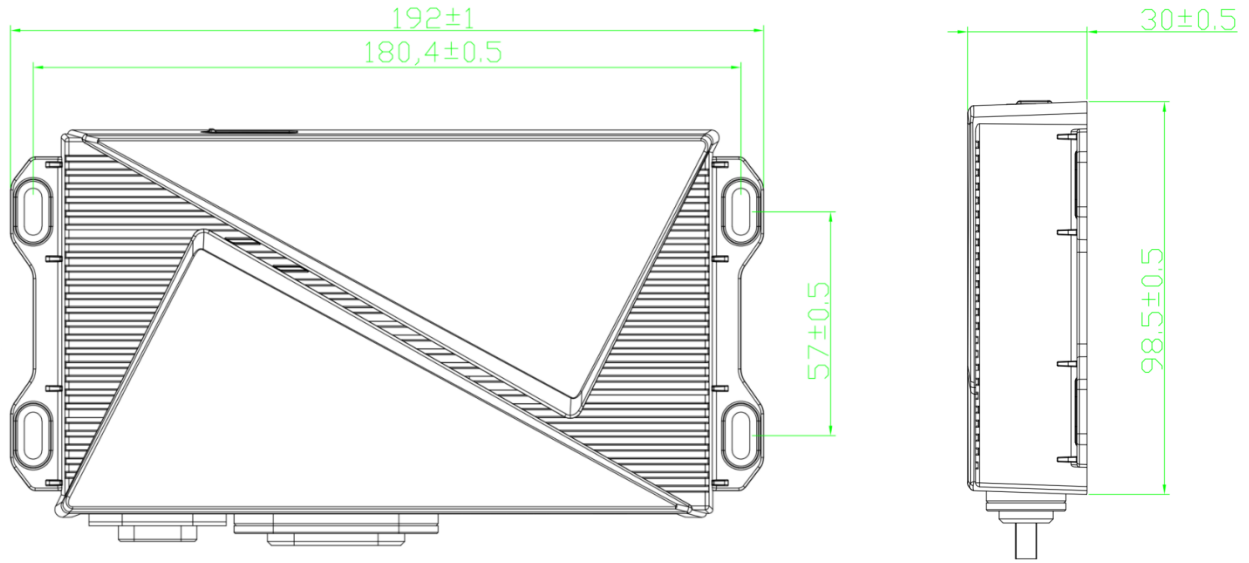
PRODUCT SPECIFICATIONS

- RS232: 3 CHANNEL, 232-1 CONNECTS TO R-WATCH BY DEFAULT, 232-2 CONNECTS TO THE LEFT SIDE OF B3, AND 232-3 CONNECTS TO THE RIGHT SIDE OF B3
- SENSOR IN: 3 INPUTS
- SENSOR OUT: 1 OUTPUT
- IBUTTON: 1 CHANNEL
- CAN : 2 CHANNEL
- K-LINE: 1 CHANNEL (J1708/J1850/K-LINE) CHOOSE ONE OF THREE
- USB: 1 X USB2.0 (TYPE A) , USED FOR LOCAL UPGRADE
- OPERATING TEMPERATURE: -40°C +70°C (-40°F + 158°F)
- STORAGE TEMPERATURE: -40°C +85°C (-40°F + 185°F)
- WORKING HUMIDITY: 15%-95% (NO CONDENSATION)
- LAN: 1 CHANNEL, CONNECT TO FF LITE PRO+
- VIDEO INPUT: 4 CHANNELS AHD OR 3 CHANNELS AHD+1 CHANNEL IPC
- VIDEO OUTPUT: 1 CHANNEL VIDEO OUTPUT, CONFIGURABLE AS AHD OR CVBS OUTPUT
- TOTAL RESOURCE: 3 CHANNELS 720P 15 FRAMES + 1 CHANNELS 720P 10 FRAMES IT CAN SUPPORT UP TO 3 CHANNELS OF BSD FOR TIME-SHARING AND 2 CHANNELS OF BSD FOR REAL-TIME OPERATION
- POWER INPUT: DC 9-36V
- POWER OUTPUT: 12V@2A
- STANDBY POWER CONSUMPTION: 24V@5MA
- SIZE: 192MM X 57MM X 30MM (7.5IN X 2.2IN X 1.1IN)
- WEIGHT: 554G (19.5OZ)



FLEETFLIX™
SEE WHAT'S AHEAD

Dimensions (mm)



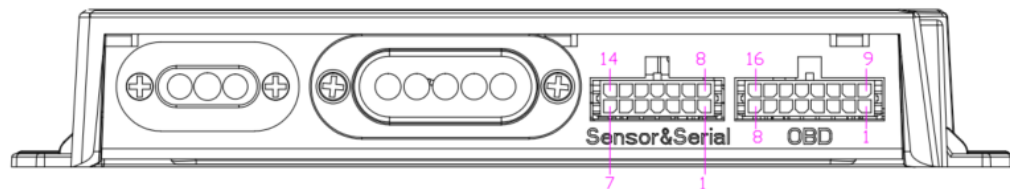
Panel interface

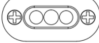

Front panel :



Number	Silk screen/Icon	Explanation
1		USB2.0 (Type A) , Used for local upgrade

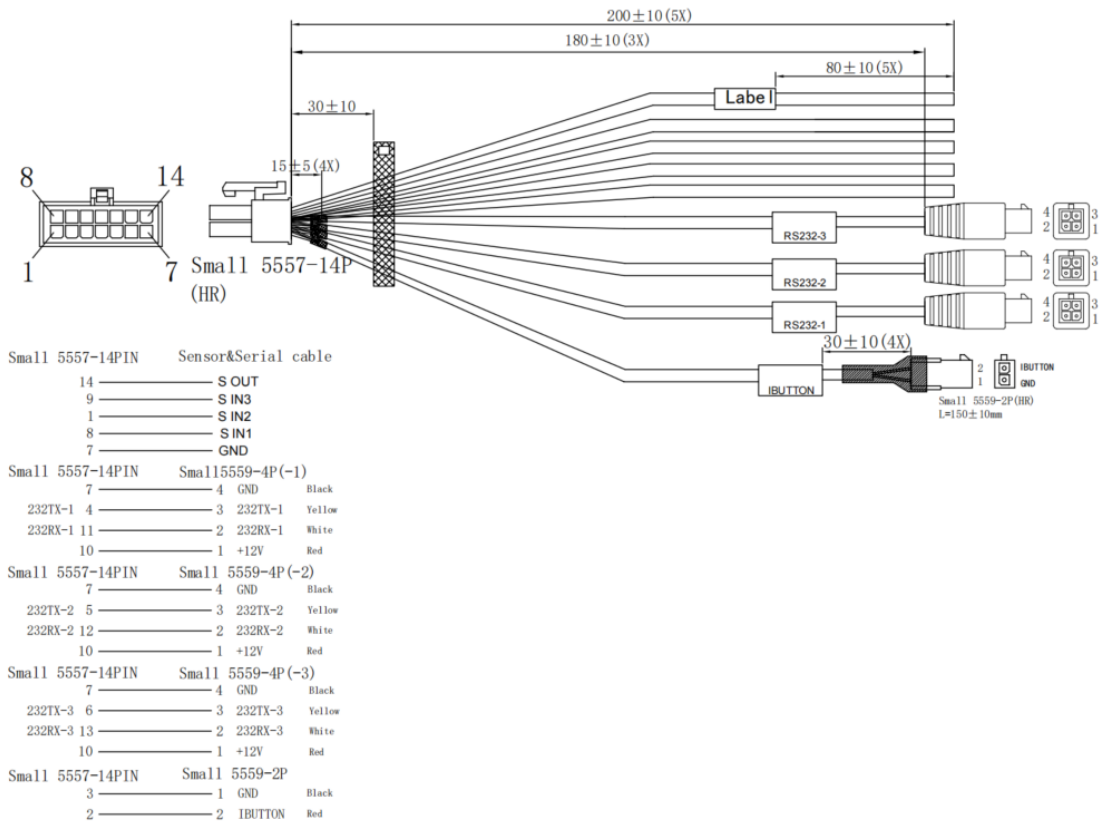
Rear panel :



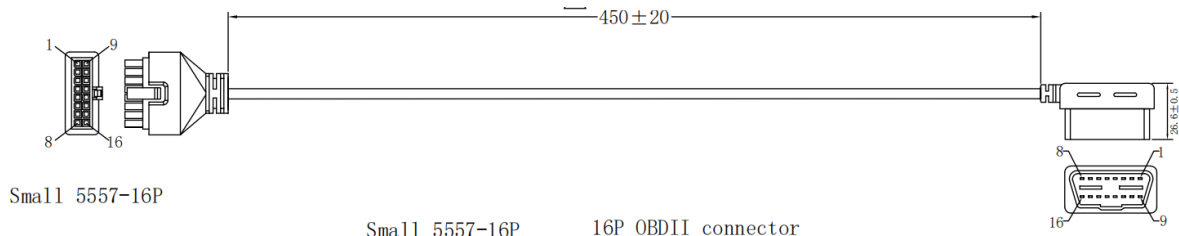
Number	Silk screen/Icon	Explanation
1	Sensor&Serial	External expansion I/O, iButton and serial.
2	OBD	Connect the vehicle OBD interface
3		Connect to FF Lite Pro+ and video output
4		Video input and IPC input

Definition of external cable interface

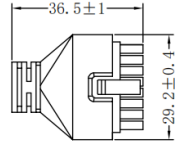
Sensor & Serial, External expansion I/O, iButton and serial.



OBD cable interface definition (standard OBD II(16PIN), optional 9PIN round head)

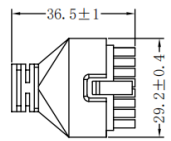
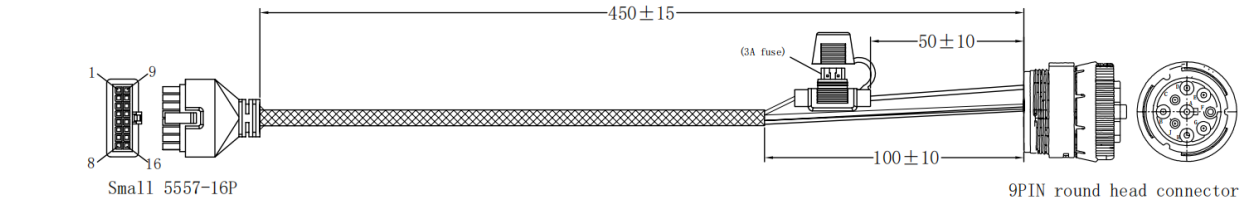


Small 5557-16P

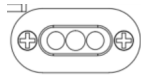


Small 5557-16P	16P OBDII connector
J1850 Bus+	1 Orange 2
CAN1-H	2 Yellow 3
CAN0-H	3 Blue 6
L-LINE	4 Green 15
J1708 Bus-	5 Brown 12
GND	7+8 Black 4 24AWG ⚠
J1850 Bus-	9 Orange-White 10
CAN1-L	10 White 11
CAN0-L	11 Blue-White 14
J1708 Bus+	12 Brown-White 13
K-LINE	13 Green-White 7
12/24V	15 Red 16 24AWG
GND	16 Black 5 24AWG

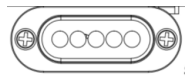
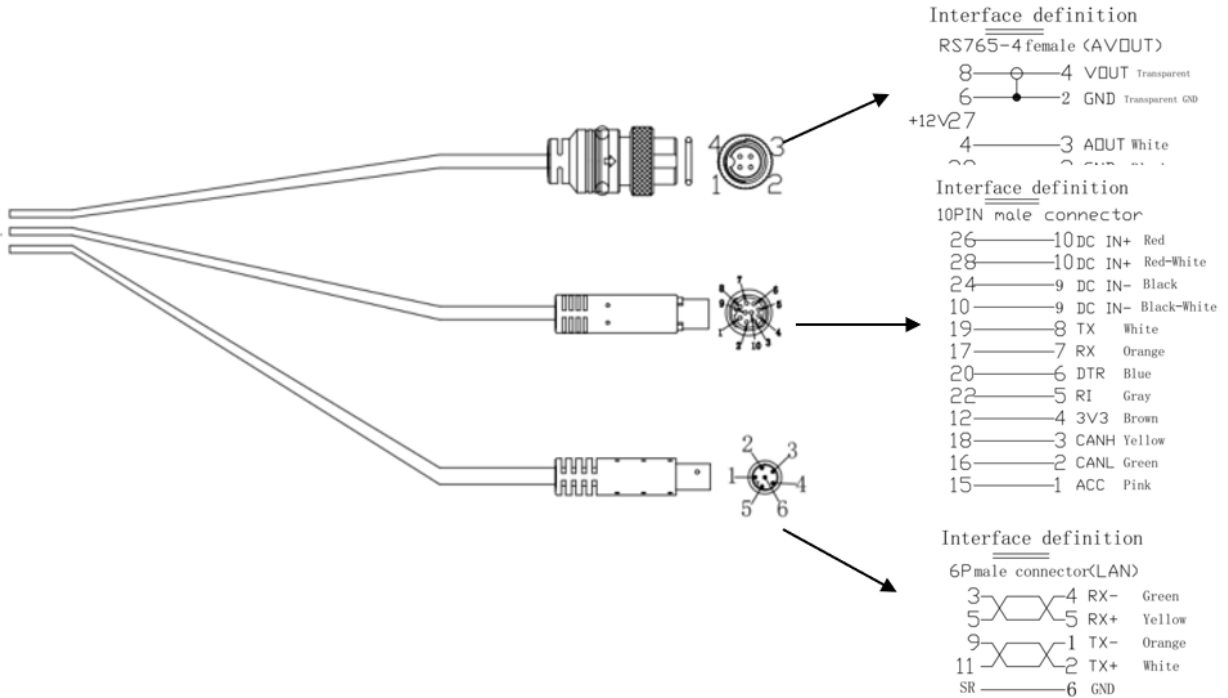
Optional 9PIN wire



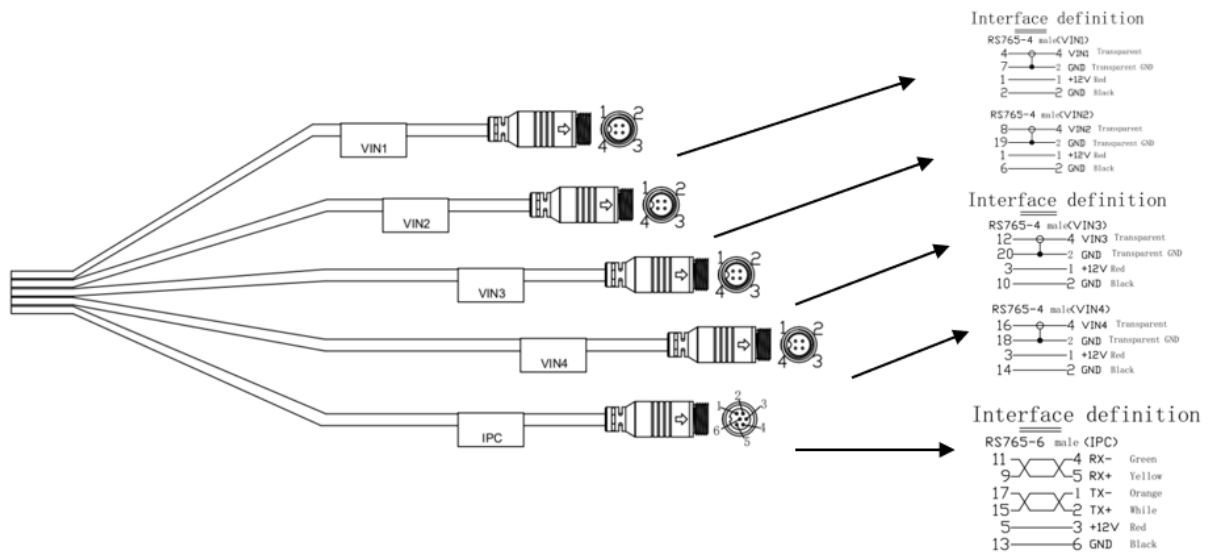
Small 5557-16P	9PIN round head connector
CAN1-H	2 White-Yellow H
CAN0-H	3 Yellow C 22AWG
J1708+	5 Brown F
GND	7+8 Black E
CAN1-L	10 Light Green J
CAN0-L	11 Green D 22AWG
J1708-	12 Brown-White G
12/24V	15 Red B
GND	16 Black A



Host connecting cable (FleetFlix Lite Pro+) and Video output.



Video input and IPC input.



System connection diagram (Connecting FleetFlix Lite Pro+)

