

FleetFlix™ Lite Aux Cam Install Guide



FFLITE-RC/FFLITE-SC Auxiliary Cameras

Preface

This installation guide for FleetFlix™ Lite Aux Cams is designed to assist installers in the proper and efficient installation of FleetFlix™ Lite and FleetFlix™ Lite Pro+ and its associated accessories. The goal is to streamline the installation process and enhance overall efficiency. This guide is intended specifically for installation engineering personnel.

FleetFlix™ retains the final interpretation rights for this document and reserves the authority to modify any information or descriptions contained herein. The contents of this manual are subject to change without prior notice.

Important Notice

1. Before installation, please park the vehicle on the horizontal ground and shut down the engine (do not park the vehicle on a ramp or an inclined road).
2. Please read the section of the packing list carefully and check carefully at the time of unpacking.
3. Please read the section of tool list carefully and provide installation tools before product installation.
4. Before installation, please observe the vehicle environment and follow the principles below:
 - a. The installation position and cabling of the product shall neither affect the driver's view nor affect the adjustment of the rearview mirror and sun visor.
 - b. The lens for monitoring the road condition ahead of the vehicle must be within the working range of the windshield wiper.
 - c. The installation position of the camera for monitoring the driver in the vehicle shall comply with local regulations.
 - d. The installation location should be convenient for Micro SD card and SIM card replacement and maintenance.
5. The appropriate installation position shall be selected according to the vehicle environment, and this document is for reference only.
6. The appropriate power supply connection method shall be selected according to the vehicle environment. If loose wire connectors are adopted, connection to the power supply and all signal cables of vehicle is required, and shall be carried out by specialized personnel, as it may be dangerous for non-specialized personnel to operate the power system of the vehicle without authorization. This document is for reference only.
7. In case of any problem in the installation of special vehicles, please contact your reseller.

Preparation for Installation

Relevant personnel must have a comprehensive understanding of the product's functions, applications, and overall components. They should possess knowledge of electrical circuits and vehicle structures, as well as common installation techniques for in-vehicle devices. Prior to device installation, relevant personnel should be familiar with the specific vehicle model, the optimal installation locations for the dashcam and auxiliary cameras, the types and lengths of cables required for each vehicle model, and the list of supplementary materials needed. This ensures the successful completion of device installation and setup. Confirmation of vehicle information is essential for a successful installation and to allocate responsibilities effectively, minimizing the risk of vehicle damage. Each installation step should only proceed after thorough confirmation, verified by both the vehicle owner or responsible party and the installation personnel.

Key steps to confirm before installation include:

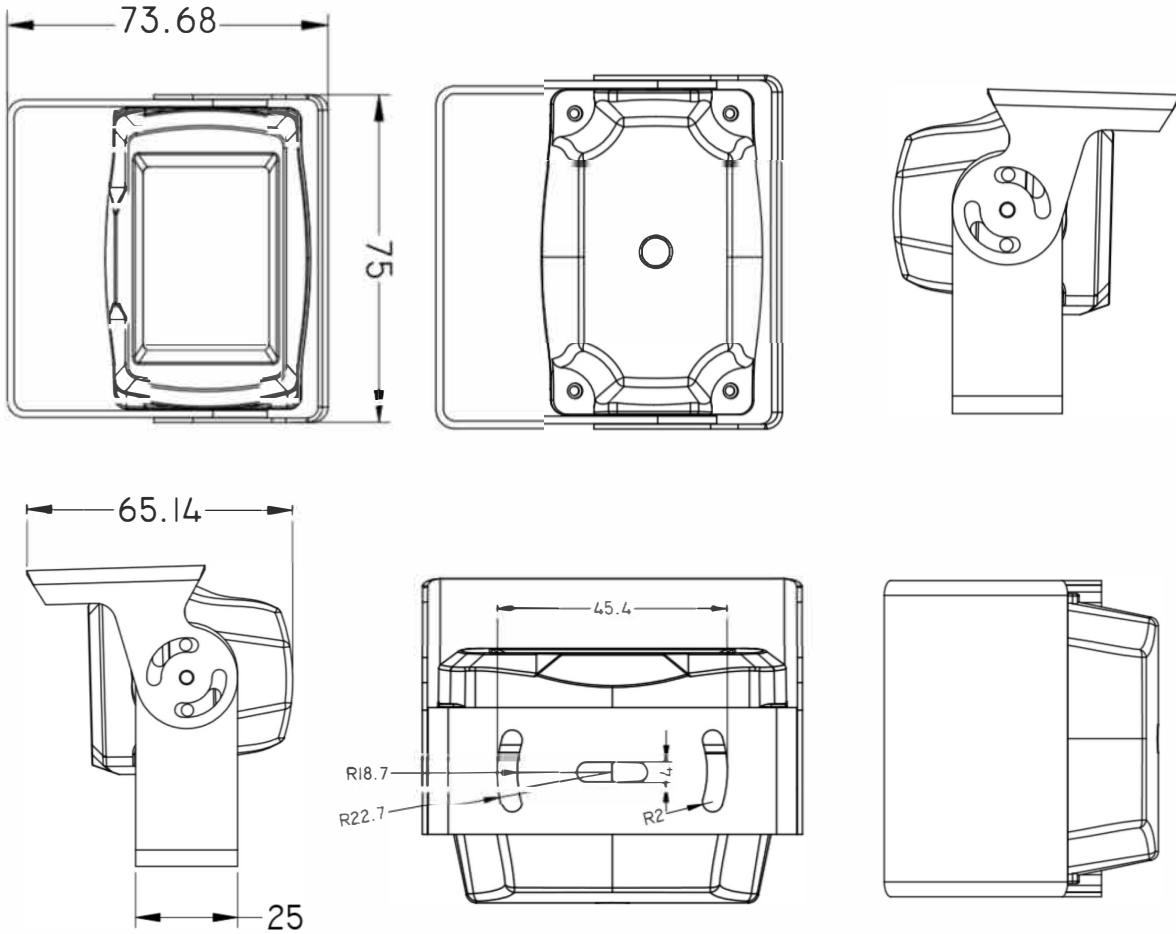
- Inspecting the vehicle's exterior and interior for any existing damage.
- Testing the vehicle's ignition to ensure normal operation.
- Verifying the vehicle's power supply system is in optimal condition.

Note: Installation should commence only after confirming the above criteria are satisfactory and meet normal operational standards.

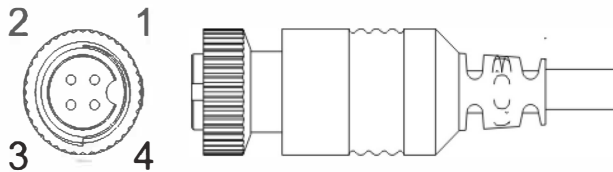


FLEETFLIX™
SEE WHAT'S AHEAD

DCA01-FFLITE-RC-AHD Product Dimensions



Interface of video output cable



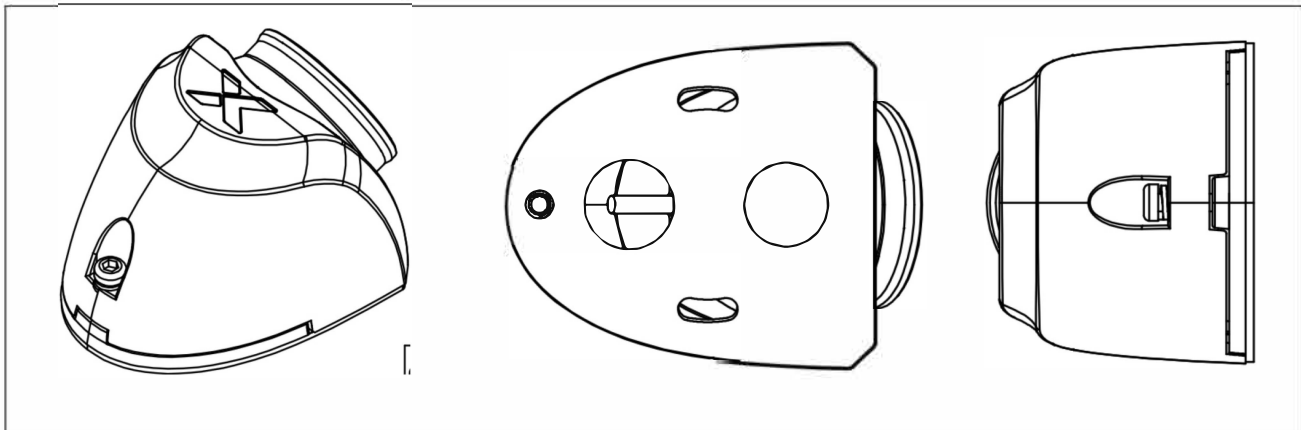
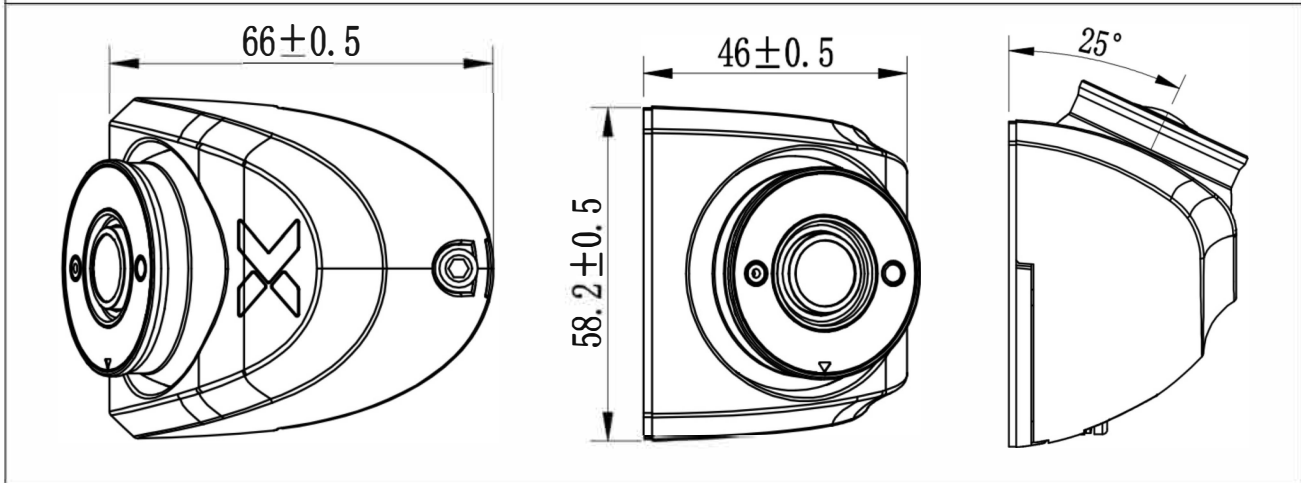
Aviation RS765-4(Female)

1---12V DC(+)
2---GND
3---AUDIO
4---VIDEO

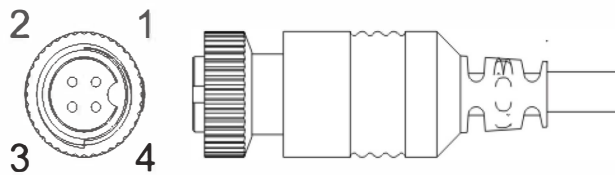


FLEETFLIX™
SEE WHAT'S AHEAD

DCA01-FFLITE-SC-CA39-AHD Product Dimensions



Interface for Video Output Cable



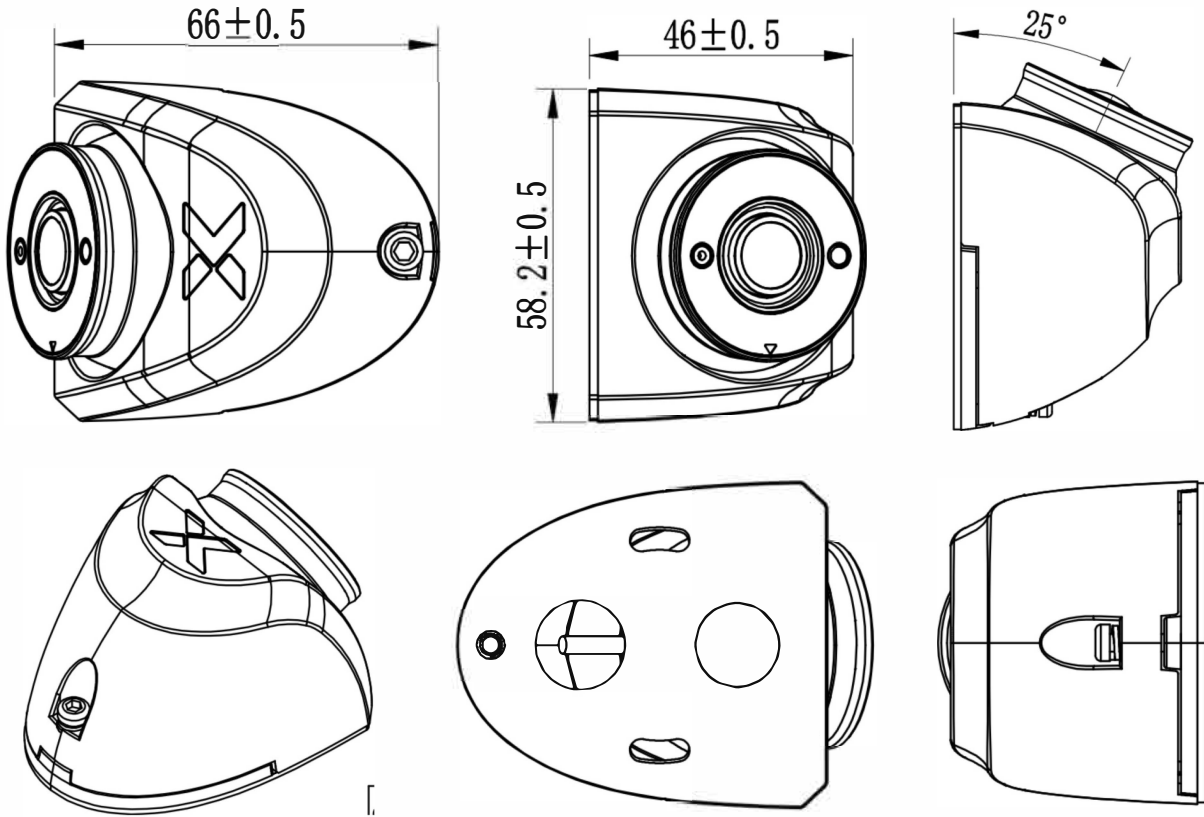
Aviation RS765-4(Female)

1---12V DC(+) 3---AUDIO
2---GND 4---VIDEO

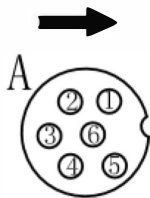
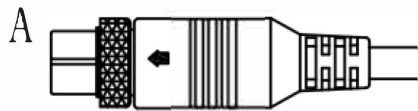


FLEETFLIX™
SEE WHAT'S AHEAD

DCA01-FFLITE-SC-CA39-IPC Product Dimensions



Video Output Line Port



1---TXN- 2---TXP+ 3---12DC(+)

4---RXN- 5---RXP+ 6---GND

HRN01-FFLITE-VOUT-S



SPECS:

Length	15CM
VIN Connector	1 AHD camera video input connector (Aviation connector 4 pins)
IPC Connector	1 IP camera connector with 6 pins (Suitable for PON cameras)
VOUT Connector	1 video output connector

HRN01-FFLITE-EXT-AHD-5M, HRN01-FFLITEEXT-AHD-11M, or HRN01-FFLITE-EXT-AHD-19M



SPECS:

Lengths	5M, 11M, 19M, 23M
Connector	M12 aviation
Connector type	Female
Pins	4
Compatibility	Analog cameras with M12 connector

HRN01-FFLITE-EXT-IPC-5M



SPECS:

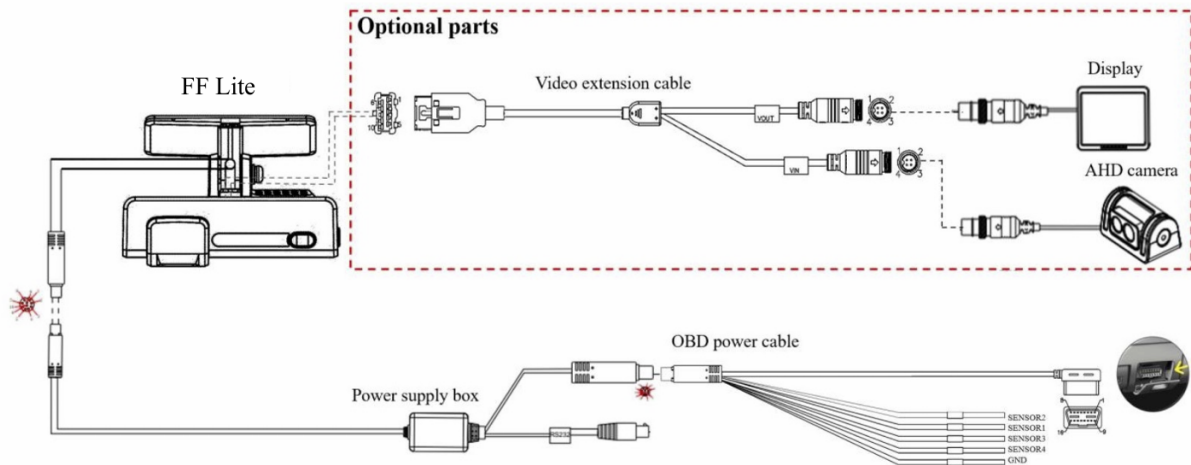
Lengths	5M, 11M, 23M
Connector	M12 aviation
Pins	6
Compatibility	PON IP cameras with M12 connector

FleetFlix™ Lite steps:

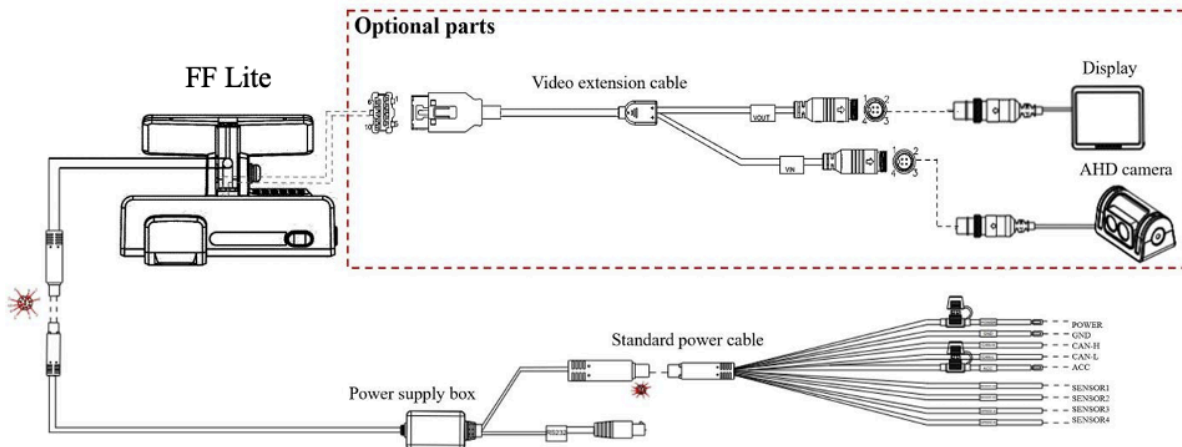
1. Remove rubber flap from top of DCC01-FFLITE-S.
2. Mount rectangular video extension cable from HRN01-FFLITE-VOUT-S into top of DCC01-FFLITE-S.
3. Insert wire from DCA01-FFLITE-RC-AHD/DCA01-FFLITE-SC-CA39-AHD to VIN cable from HRN01-FFLITE-VOUT-S.
4. If more length is needed, please use the HRN01-FFLITE-EXT-AHD-5M, HRN01-FFLITE-EXT-AHD-11M, or HRN01-FFLITE-EXT-AHD-19M cable.
5. If ACC01-FFLITE-MONITOR-7IN / ACC01-FFLITE-MONITOR-7INCH-HD is included, insert VOUT cable into wire from monitor.

Schematic Diagram of System Connection-Power Supply through OBD

- FF Lite



Schematic Diagram of System Connection-Power Supply through Standard Power Cable

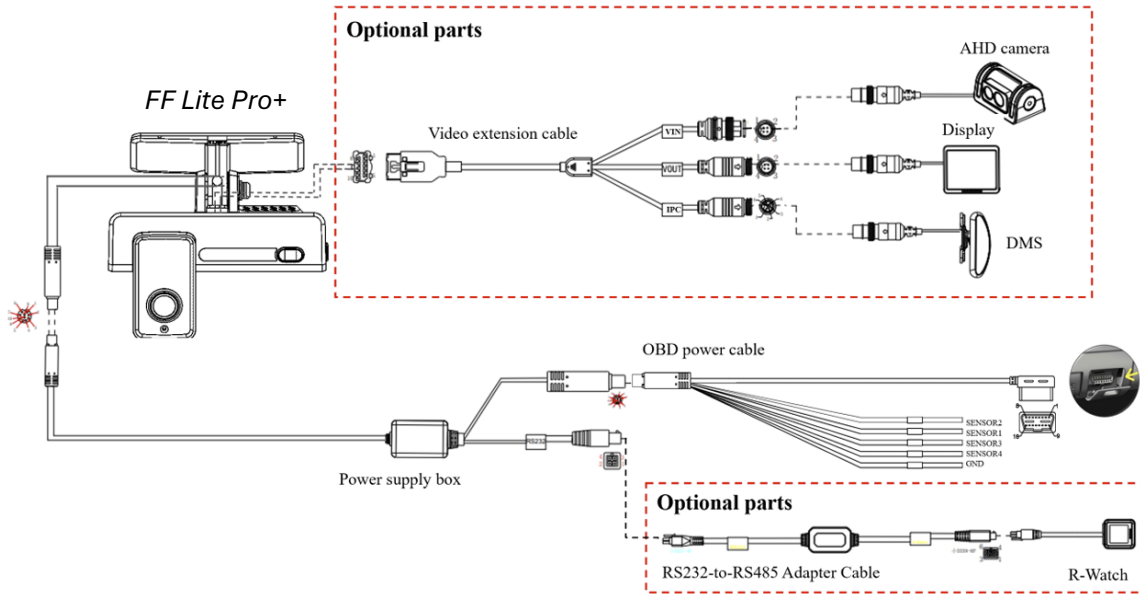


FleetFlix™ Lite Pro+ steps:

1. Remove rubber flap from top of DCC01-FFLITE-DP.
2. Mount rectangular video extension cable from HRN01-FFLITE-VOUT-D into top of DCC01-FFLITE-DP.
3. Insert wire from DCA01-FFLITE-RC-AHD/DCA01-FFLITE-SC-CA39-AHD to VIN cable from HRN01-FFLITE-VOUT-D.
4. If more length is needed, please use the HRN01-FFLITE-EXT-AHD-5M, HRN01-FFLITE-EXT-AHD-11M, or HRN01-FFLITE-EXT-AHD-19M cable.
4. If DCA01-FFLITE-SC-CA39-IPC is included, insert wire into IPC cable from HRN01-FFLITE-VOUT-D.
5. If more length is needed, please use the HRN01-FFLITE-EXT-IPC-5M.
6. If ACC01-FFLITE-MONITOR-7IN / ACC01-FFLITE-MONITOR-7INCH-HD is included, insert VOUT cable into wire from monitor.

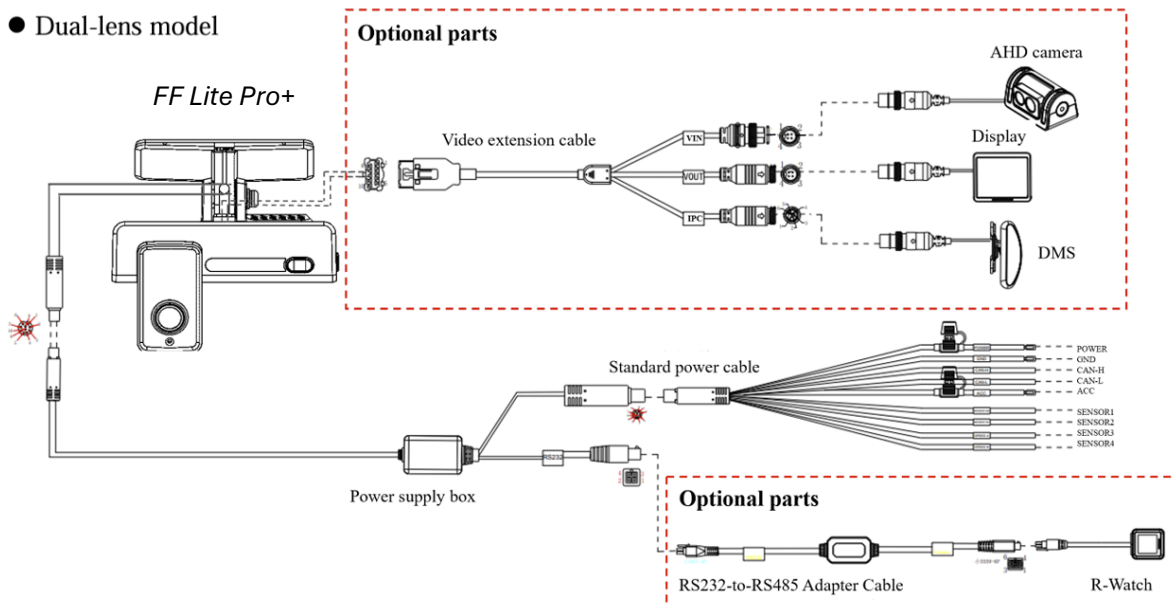
Schematic Diagram of System Connection-Power Supply through OBD

- Dual-lens model

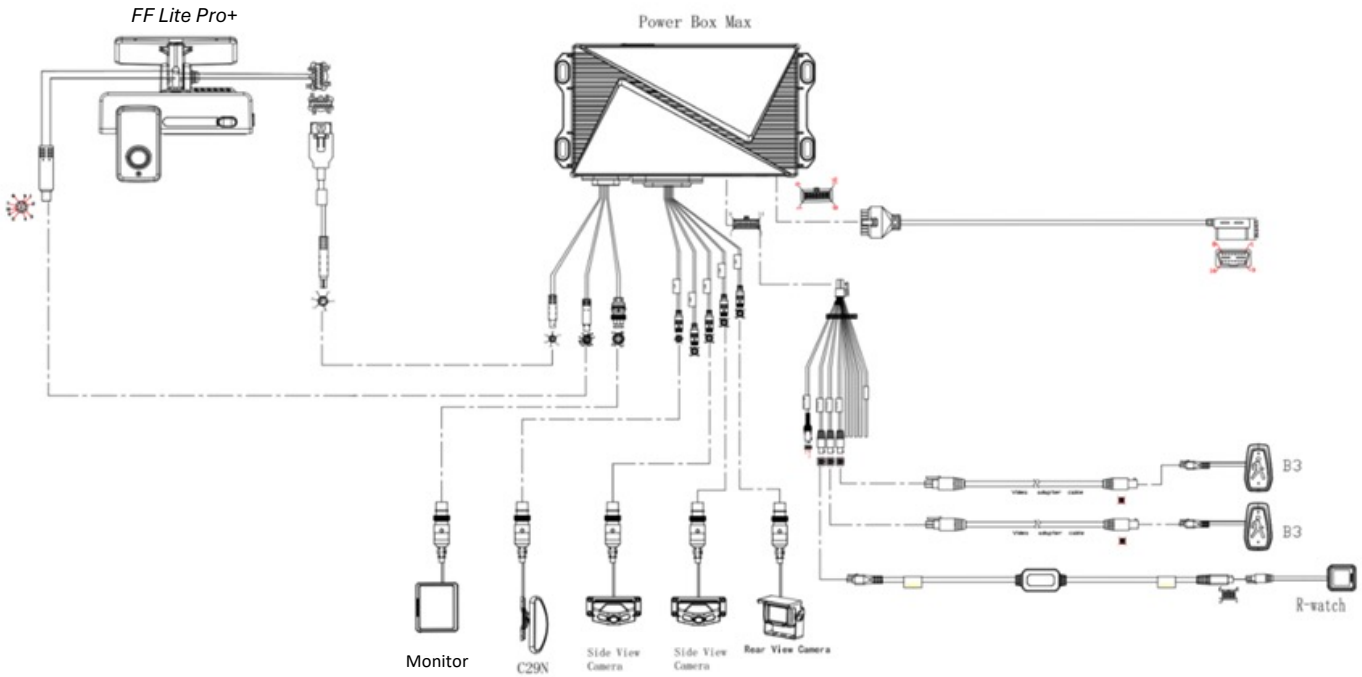


Schematic Diagram of System Connection-Power Supply through Standard Power Cable

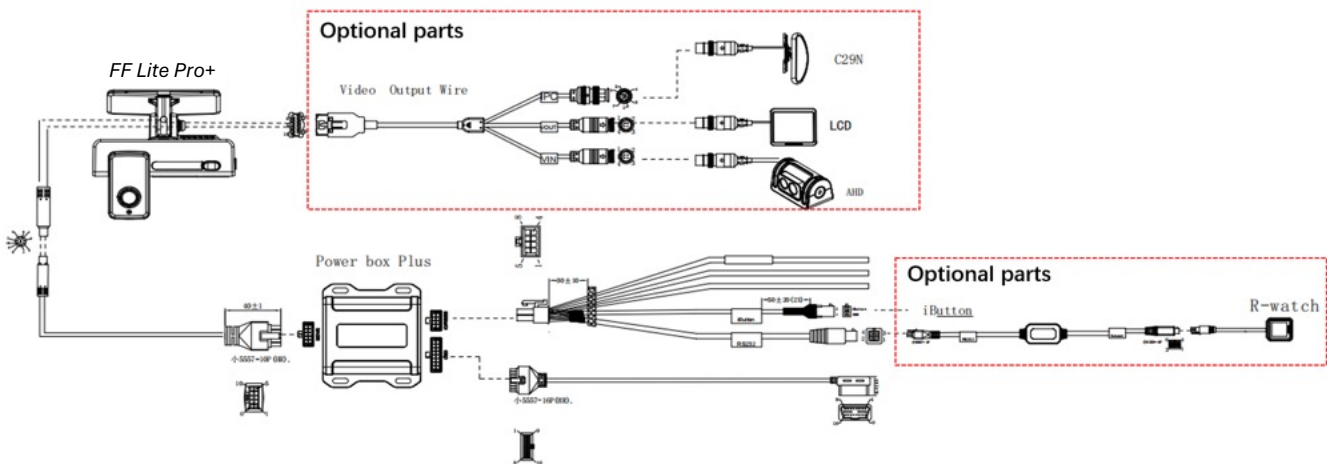
- Dual-lens model



Schematic Diagram of System Connection-Power Supply through Power Box Max



Schematic Diagram of System Connection-Power Supply through Power Box Plus



Product Usage Examples

